

Handmade Electronic Products

Unlock For Us is an internet based company that specializes on Microsoft and Codebase-IO.com Technologies. Fourteen Years of technology in service was served from 2008 up to now.

CodeBase Zero, CodeBase One and CodeBase Two are hardware products based on CodeBase 1.0 design and documents.

What is CodeBase IO?

CodeBaseIO lets you design projects easily and can be understood by anyone. It is the analogy to understand binary terms and systems.

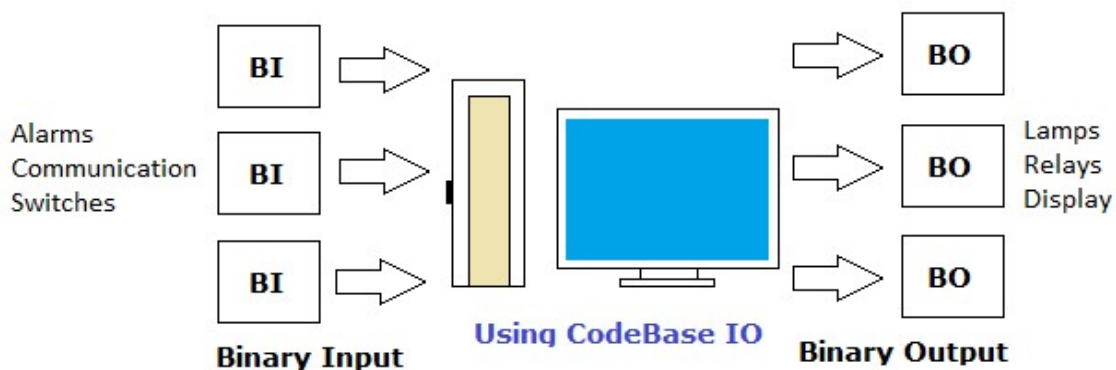
All are Digital in forms

Years of research and manufacturing of nature friendly electronics called CodeBase, MOH Engineering promises All Electronics (AE) in True Technology (TT) applications in all kinds of Digital.

That means, analog world can be digital also in nature.

Promises

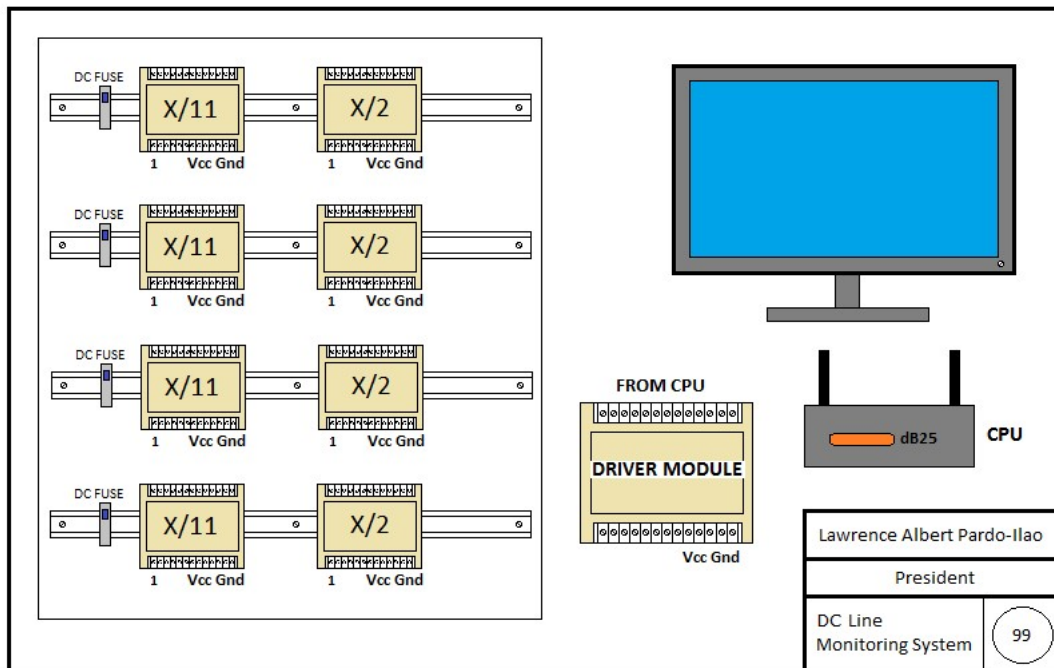
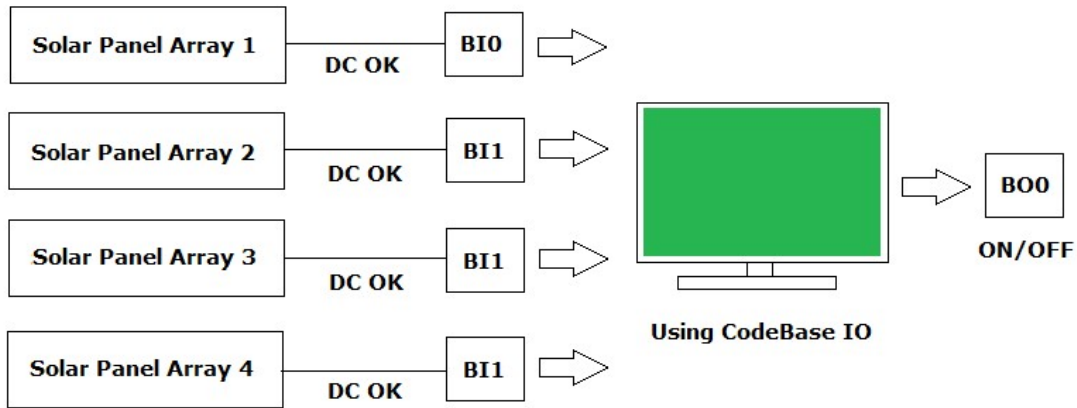
- Digitally logical
- 100% understanding of the circuit
- Technology designed for engineers and scientists



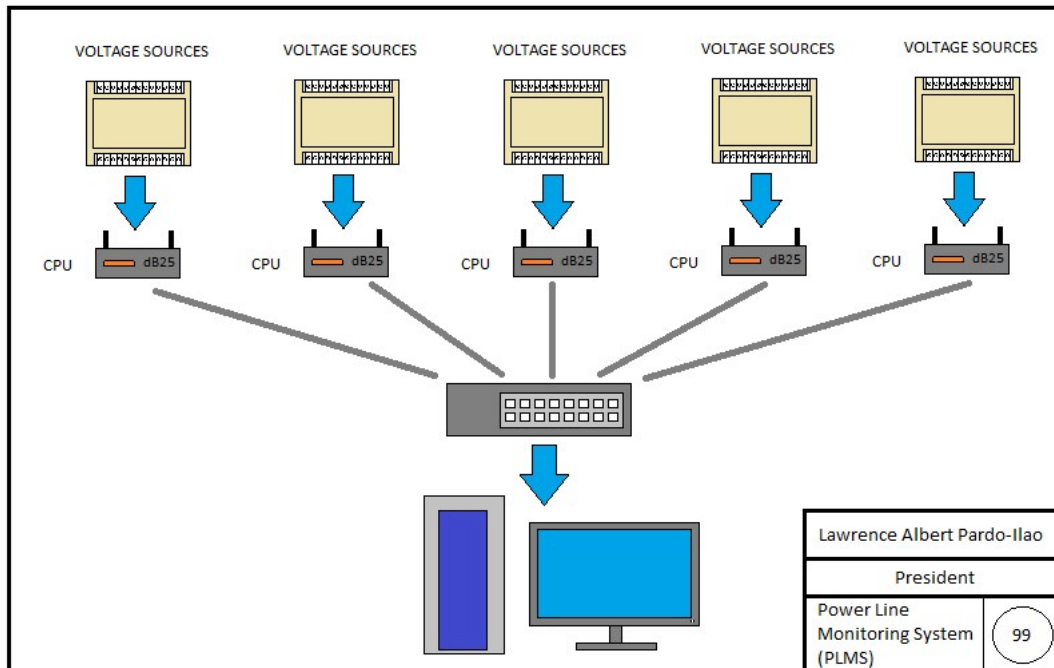
Email: codebased@yahoo.com

Solar Monitoring using Computers

We are capable in monitoring Solar power plants that ranges in any voltage DC sources.



Solar Power Array Monitoring

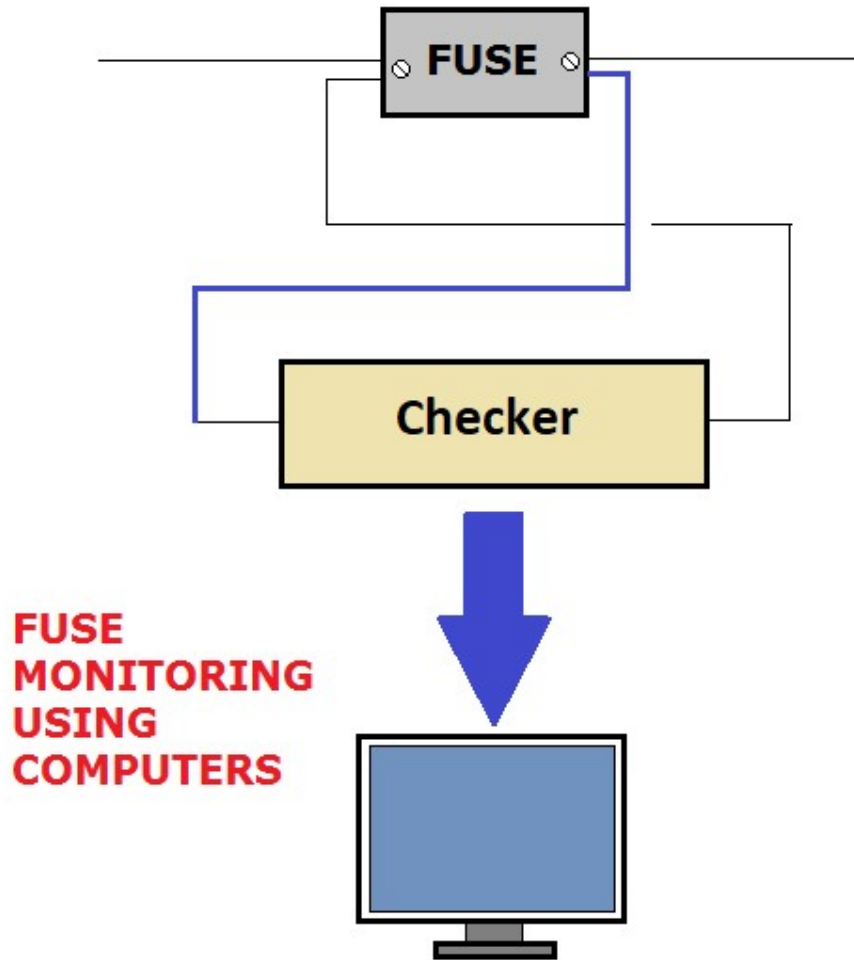


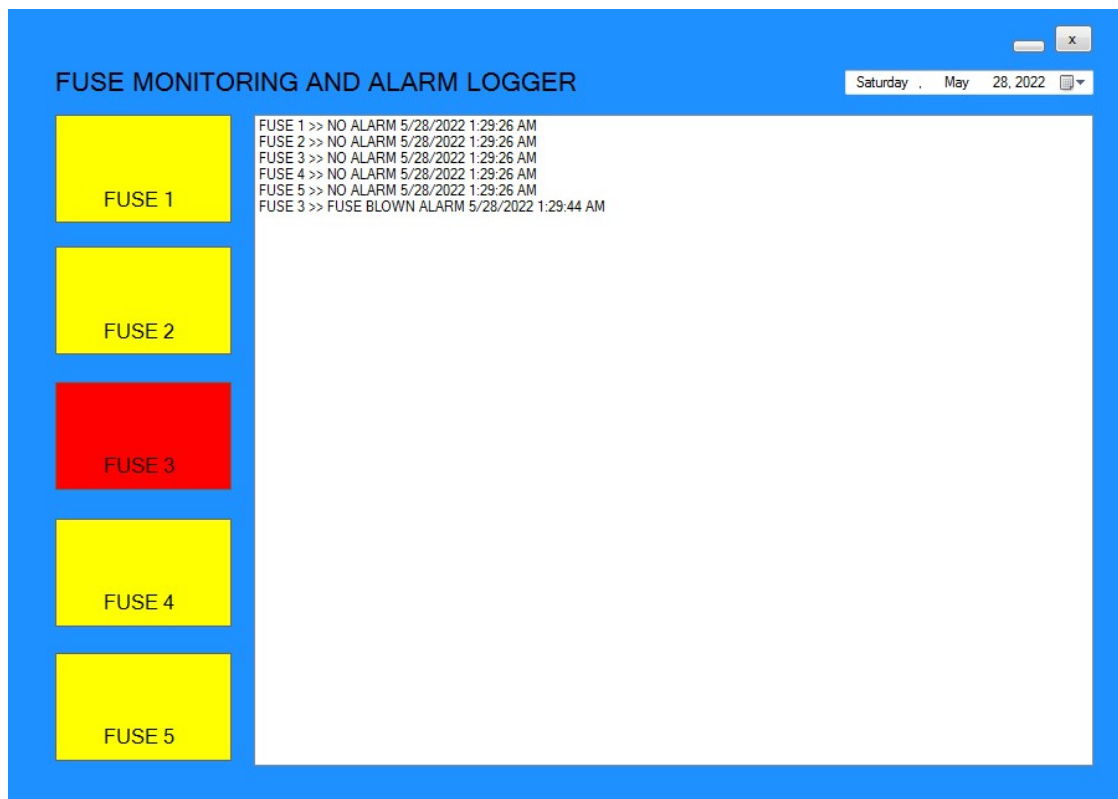
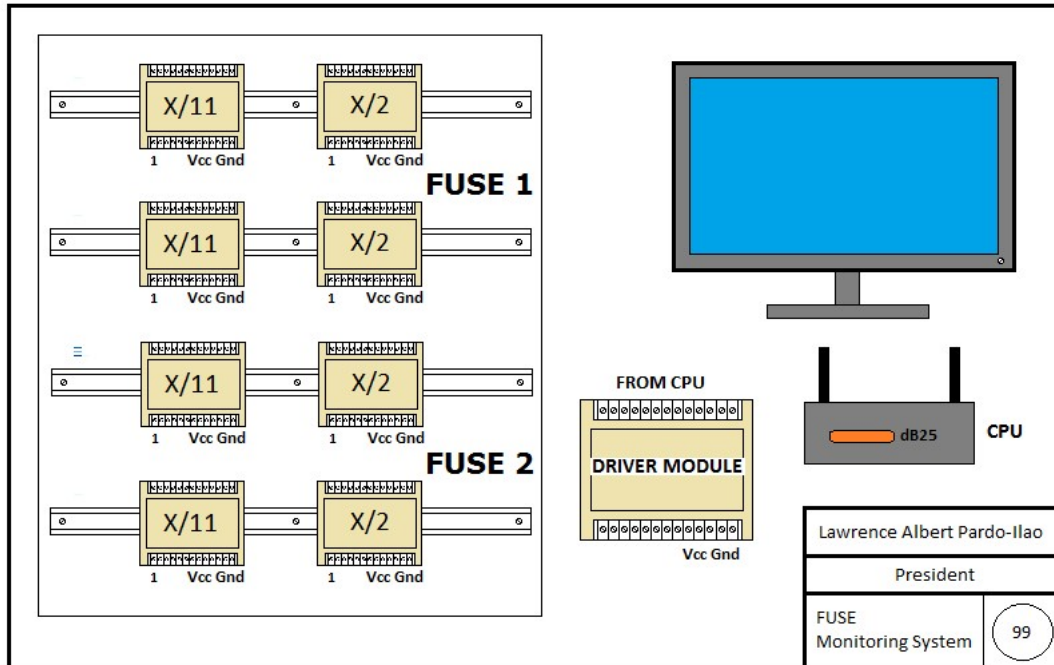
In this example, we are monitoring $5/\text{cpu} \times 5 = 25$ inputs or Solar Array to be monitored.

Visual Studio and .Net Framework is the main programming environment of the device. Written in VB.Net and will be installed on Windows 11.

PC Based Fuse Monitoring

Its not dangerous for fuses to check anymore.





There are Five (5) Fuses as the standard design and concept. We will be using Visual Studio and .Net Framework as the main programming environment of the device. Written in VB.Net and tested on Windows 11.

From logic, hardware and codebase designed products, Unlock For Us will deliver excellence in design through years of experience. Impossibility are made possible and products prices ranges from enough to expensive.