

Handmade Electronic Products

Unlock For Us is an internet based company that specializes on Microsoft and Codebase-IO.com Technologies. Sixteen Years of technology in service was served from 2008 up to now.

Unlock For Us will continue the innovation and fundamentals through Fire Detection and Monitoring using Computers.

CodeBase Zero, CodeBase One and CodeBase Two are hardware products based on CodeBase 1.0 design and documents.

What is CodeBase IO?

CodeBaseIO lets you design projects easily and can be understood by anyone. It is the analogy to understand binary systems.

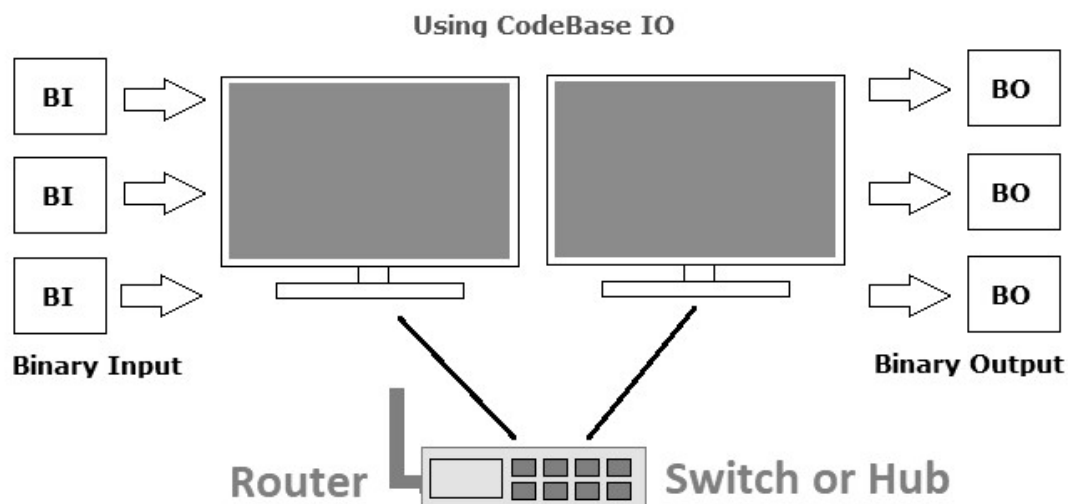
All are Digital in forms

Through the years of research and manufacturing of nature friendly electronics called CodeBase, MOH Engineering promises All Electronics (AE) in True Technology (TT) applications in all kinds of Digital.

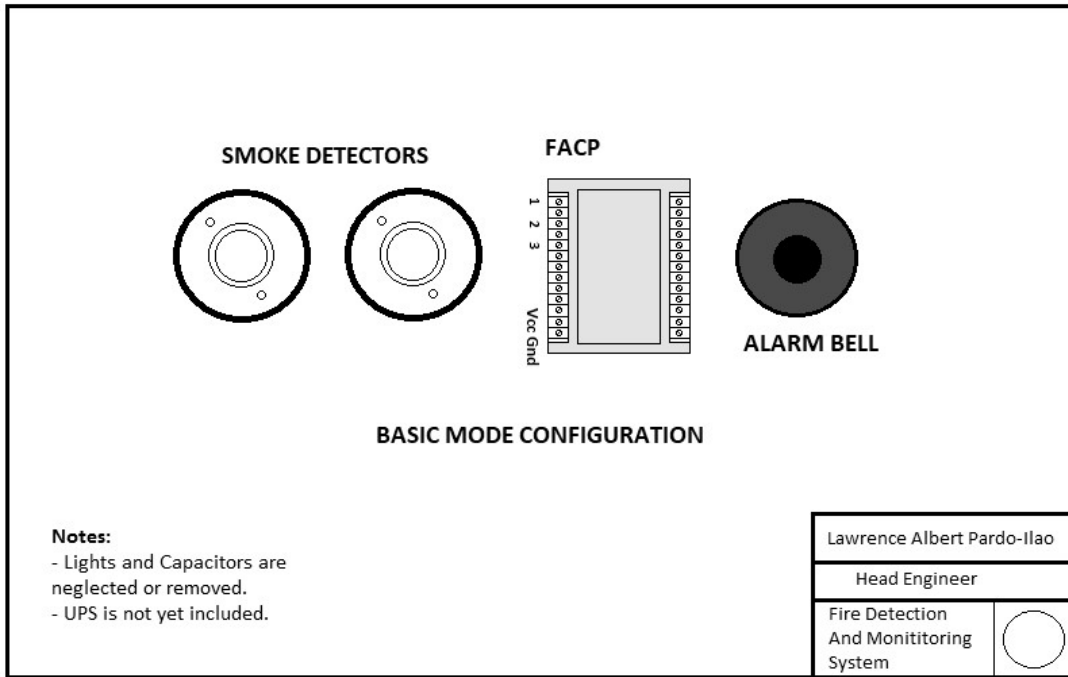
That means, analog world can be digital also in nature.

Promises

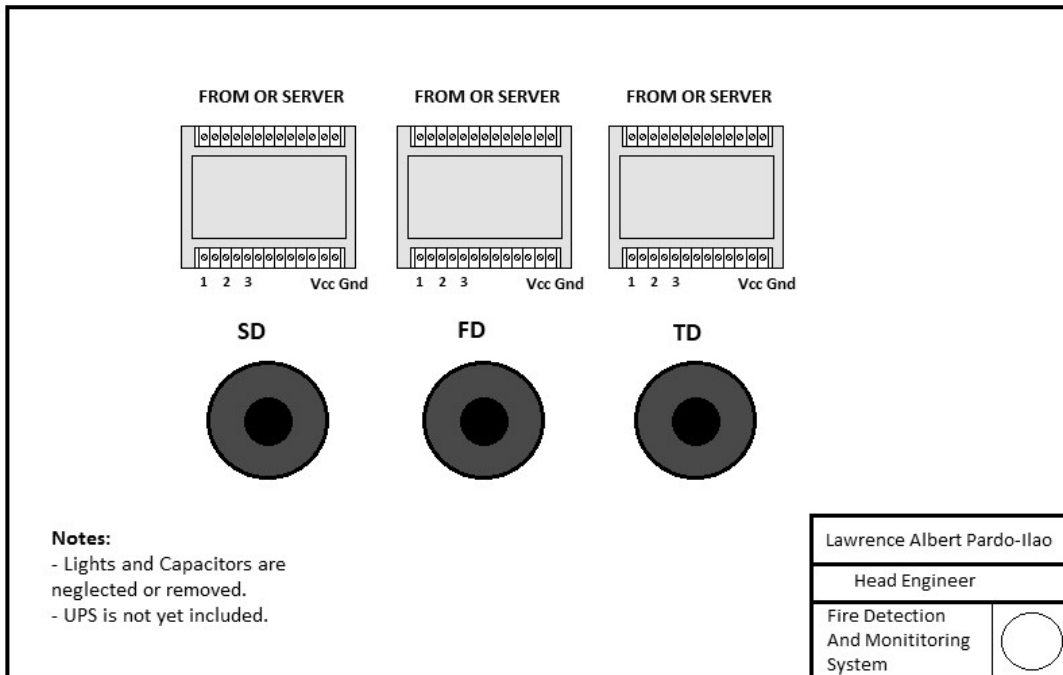
- Digitally logical
- 100% understanding of the circuit
- Technology designed for engineers and scientists



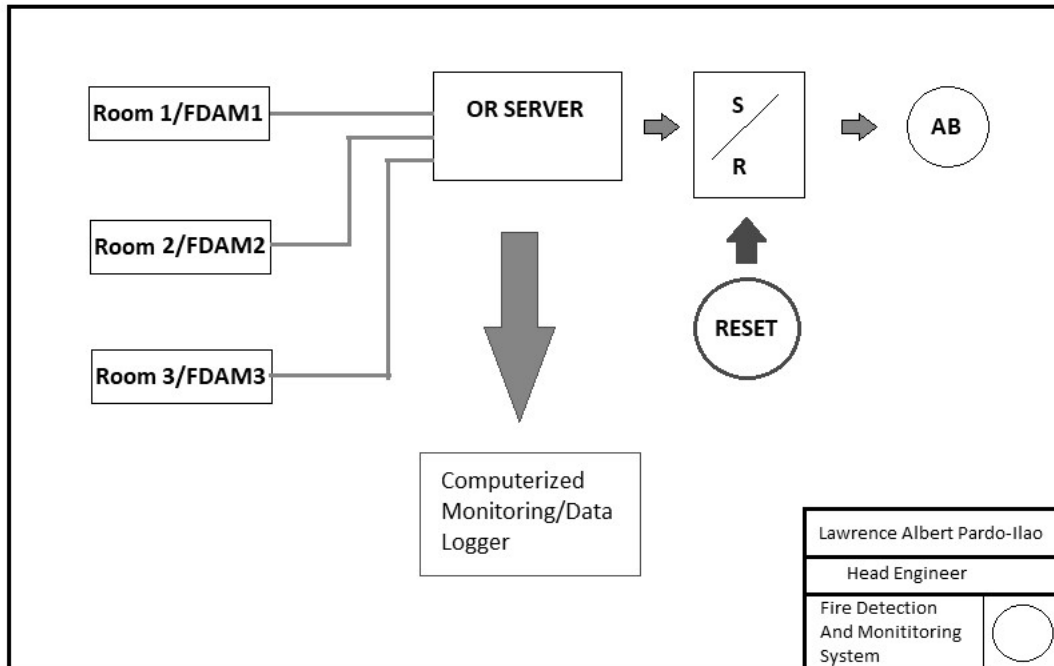
FIRE DETECTION AND ALARM SYSTEM (FDAS) CONVENTIONAL CONFIGURATION (UP TO 10 SDs)



FIRE DETECTION AND MONITORING SYSTEM (FDAMS) STANDALONE FDAMS FOR OFFICES, FACTORIES AND HOMES



CENTRALIZED DESIGNS FOR OFFICES, FACTORIES AND HOMES



Temperature sensor

The sensor needs to be put at the point where it can measure the ambient temperature correctly, so that the alarm will be activated depends on your needs.

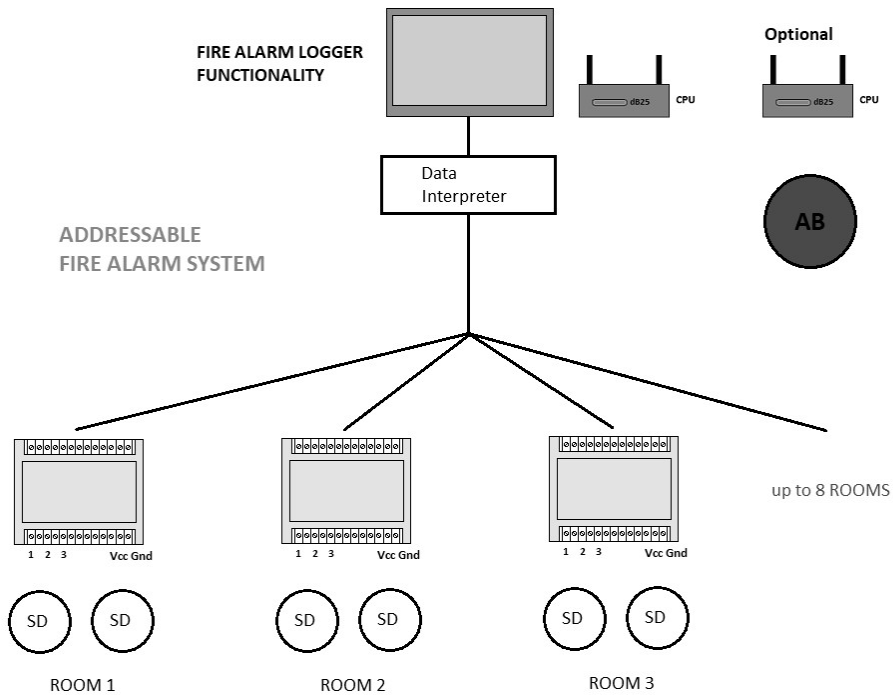
Flame Detection

For Computerized designs, If certain flame was sense in a near distance, the module will send data going to CPU and Logged and alarm.

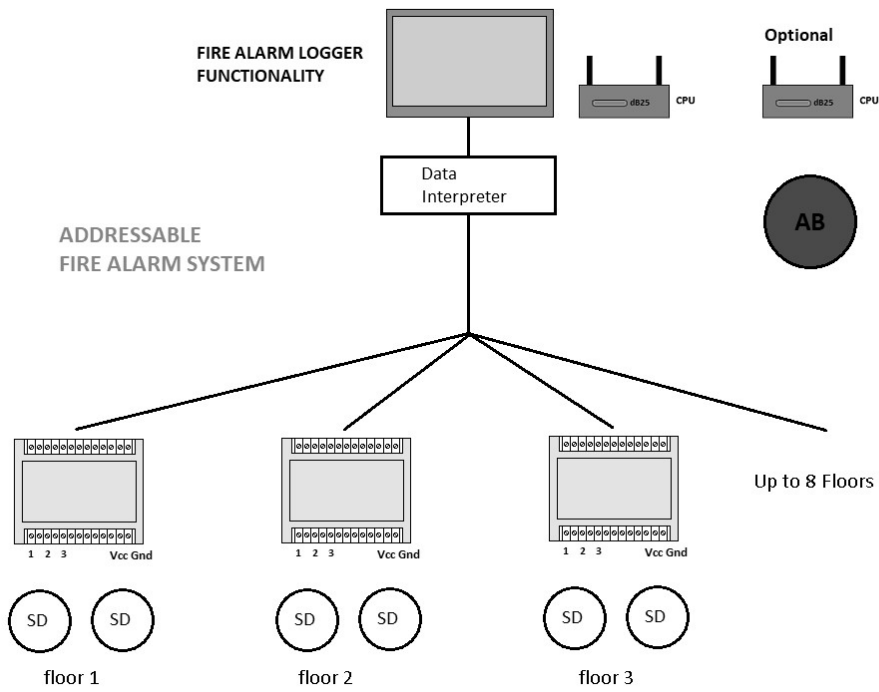
Smoke Detection

This is notably one of the oldest technology until now being used in the market. A Two-wire smoke detection will do the job very well.

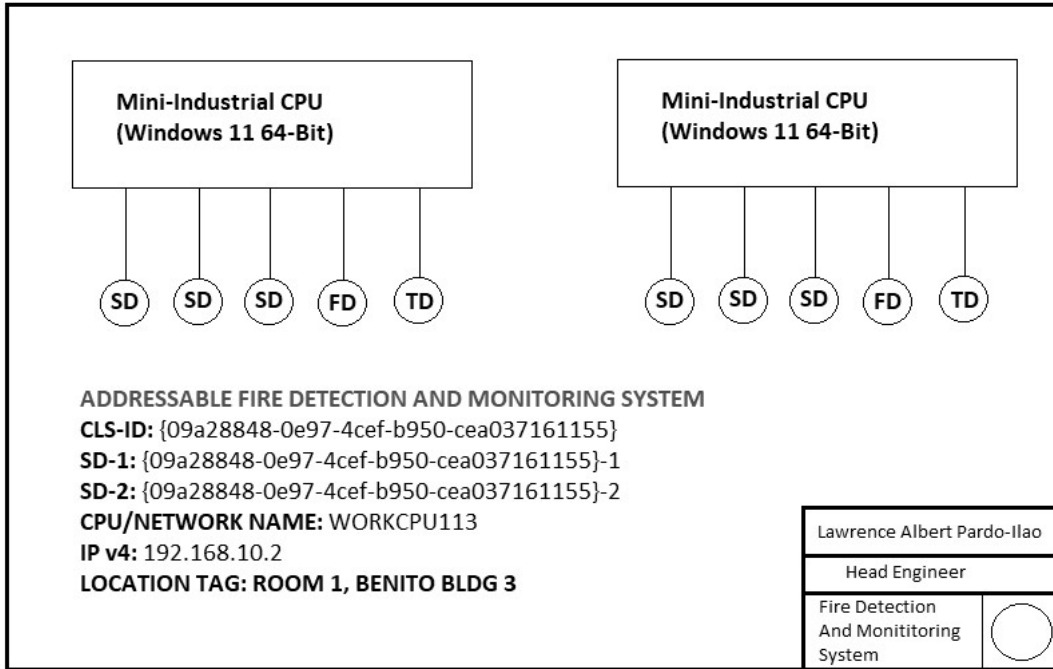
ADDRESSABLE CONVENTIONAL FIRE MONITORING SYSTEM ROOMS TO ROOMS



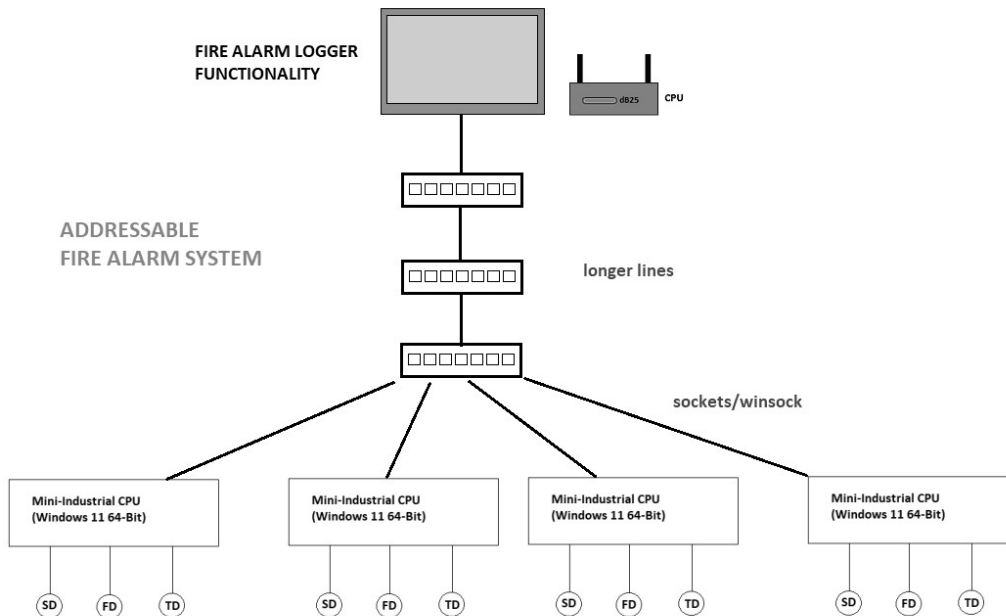
FLOOR TO FLOOR



ADDRESSABLE COMPLETE FIRE MONITORING SYSTEM



The amazing technology uses modern IT infrastructure and Server Technology of Windows 11 64 bit and Desktop Cities (Shell Cities).



COMPUTERIZED FLAME DETECTOR AND ALARM LOGGER Wednesday, June 08, 2022

SECTION 1
SECTION 2
SECTION 3
ROOM 4
ROOM 5

```
FD >> SECTION 1 ALARM 6/8/2022 9:12:36 AM
FD >> SECTION 2 ALARM 6/8/2022 9:12:36 AM
FD >> SECTION 3 ALARM 6/8/2022 9:12:36 AM
FD >> ROOM 4 ALARM 6/8/2022 9:12:36 AM
FD >> ROOM 5 ALARM 6/8/2022 9:12:36 AM
```

COMPUTERIZED HEAT DETECTOR AND ALARM LOGGER Saturday, May 28, 2022

FLOOR 1
FLOOR 2
FLOOR 3
FLOOR 4
FLOOR 5

```
HD >> FLOOR 1 NO ALARM 5/28/2022 1:05:30 AM
HD >> FLOOR 2 NO ALARM 5/28/2022 1:05:30 AM
HD >> FLOOR 3 NO ALARM 5/28/2022 1:05:30 AM
HD >> FLOOR 4 NO ALARM 5/28/2022 1:05:30 AM
HD >> FLOOR 5 NO ALARM 5/28/2022 1:05:30 AM
HD >> FLOOR 1 ALARM 5/28/2022 1:06:14 AM
```

COST

Conventional/Basic Mode Configuration

P10,000 SD Based FACP

Stand-Alone Type (2 ROOMS FDAM)

P100,000 per room

P200,000 OR Server

P100,000 Data Interpreter Box

P1M Logger Functionality

Addressable Conventional FMS with Logger:

P500k Two smoke detector and FACP (8 rooms/floors)

P100k Data Interpreter Box

P1M Logger Functionality

Addressable Complete Fire Monitoring System with Logger:

P500k Two smoke detector and FACP (8 rooms/floors)

P400k Maximum of 8 CPU (8 rooms/floors)

P1.2M Technology and other Materials

P1M Logger Functionality

Email: codebased@yahoo.com

(+63) 998 2794705